



**LEFROY BROOKS**

IBROC HOUSE ESSEX ROAD  
HODDESDON HERTS EN11 OQS UK  
T: +44 (0)1992 708 316 F: +44 (0)1992 708 317

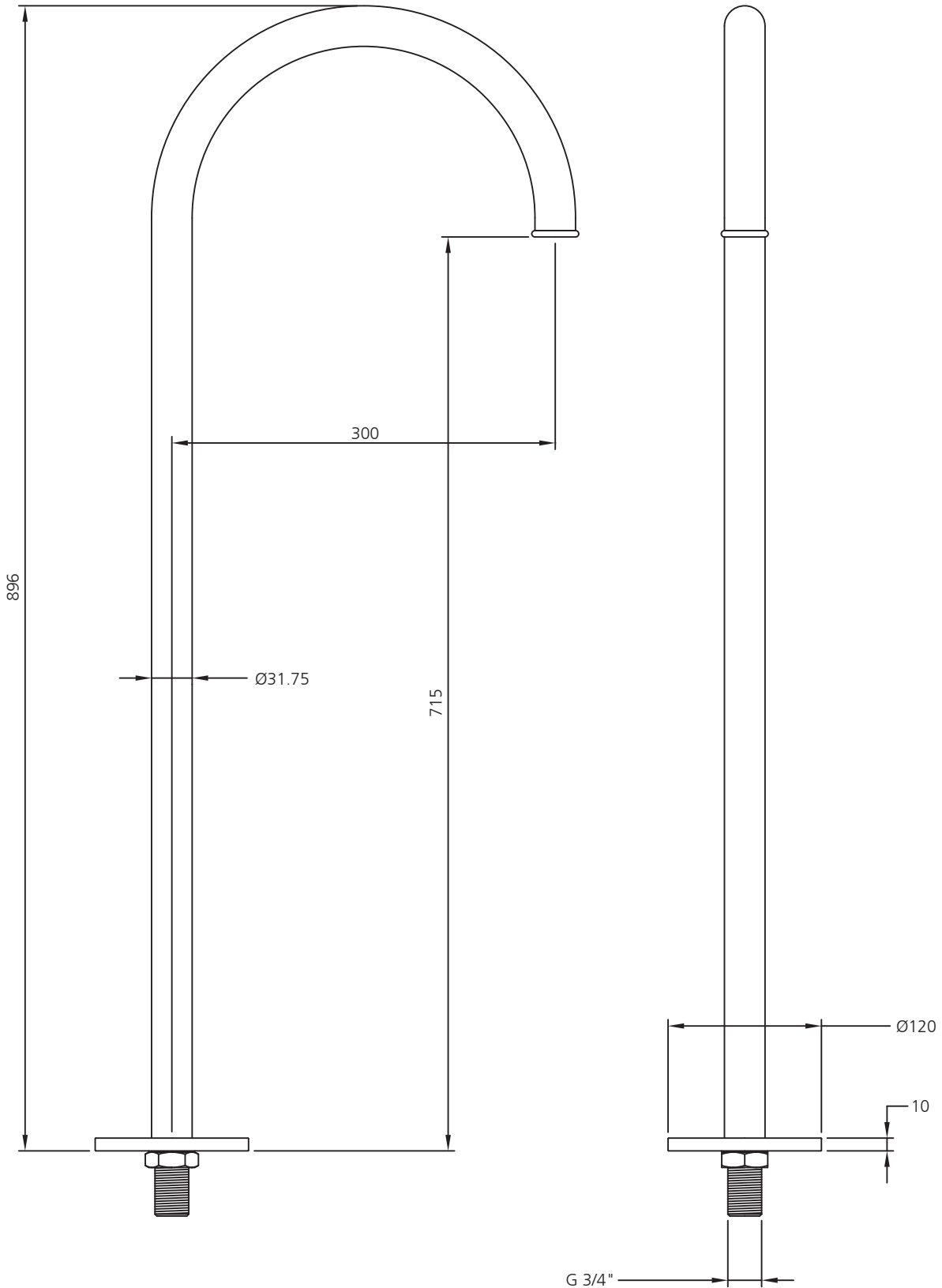
XO-4120

ZEN BATH FILL

DIMENSIONAL DATA SHEET

DATE: 20 August 2010

NUMBER: 30 069 4120 A



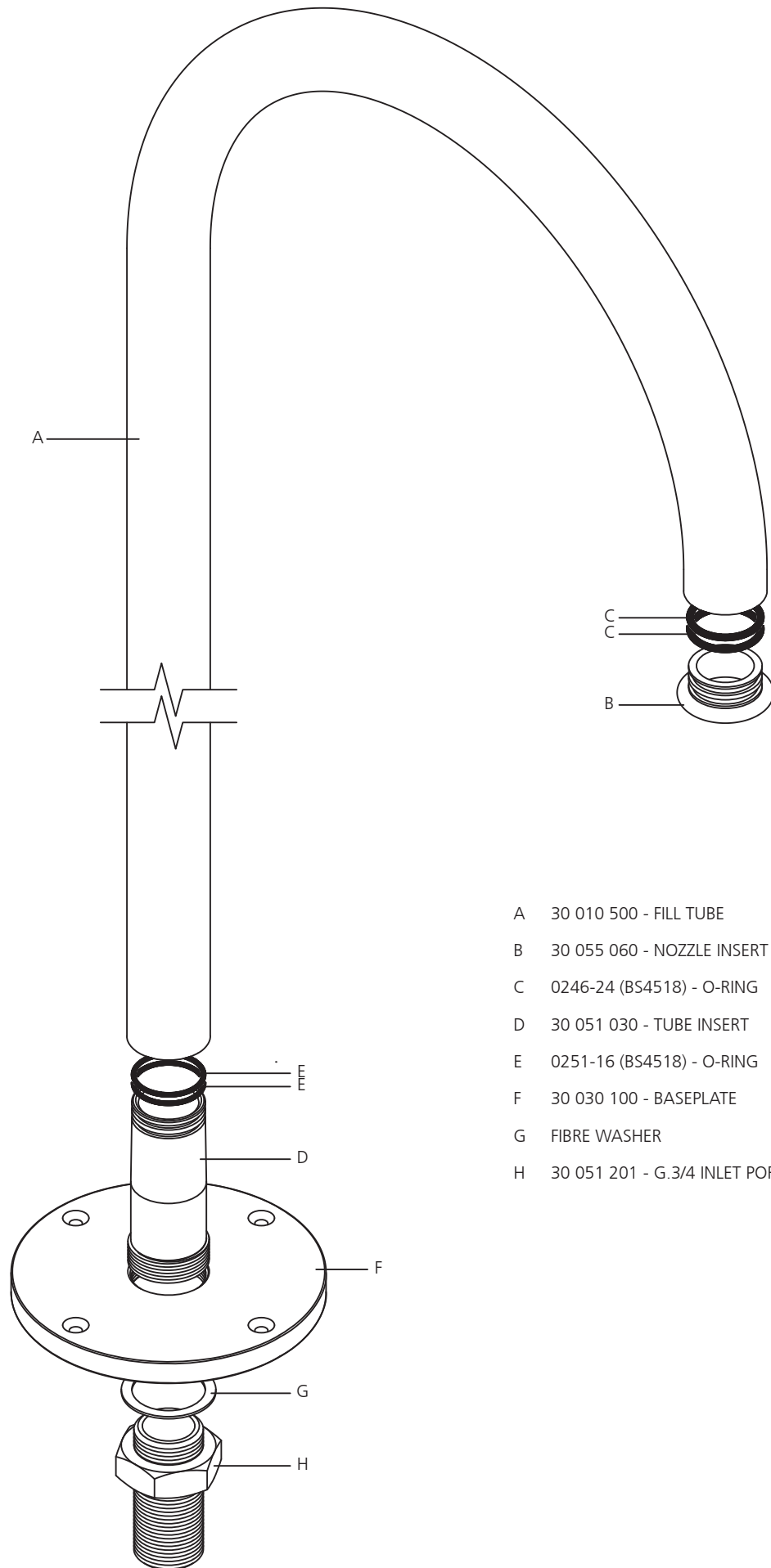
©COPYRIGHT 2001-2010. CHRISTO LEFROY BROOKS. ALL RIGHTS RESERVED.

DIMENSIONS IN MILLIMETRES

WHILST EVERY EFFORT IS MADE TO ENSURE THE ACCURACY OF THESE DATA SHEETS THEY ARE SUBJECT TO CHANGE WITHOUT NOTICE AS PART OF THE COMPANY'S PRODUCT DEVELOPMENT PROCESS

# X0-4120

ZEN BATH FILL



- A 30 010 500 - FILL TUBE
- B 30 055 060 - NOZZLE INSERT
- C 0246-24 (BS4518) - O-RING
- D 30 051 030 - TUBE INSERT
- E 0251-16 (BS4518) - O-RING
- F 30 030 100 - BASEPLATE
- G FIBRE WASHER
- H 30 051 201 - G.3/4 INLET PORT